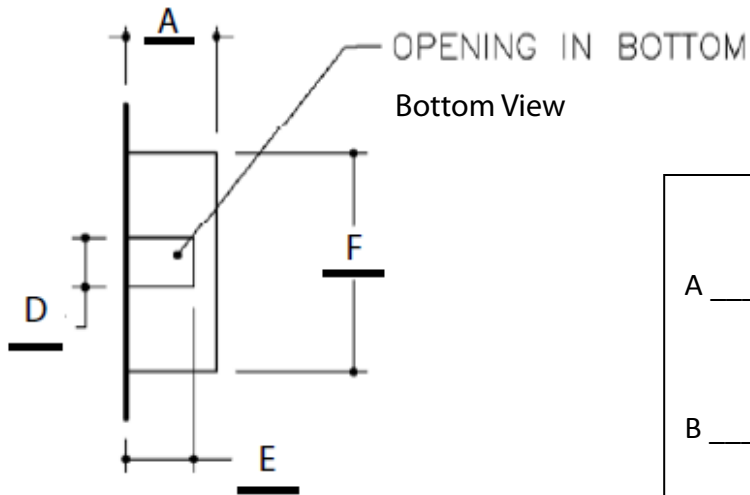
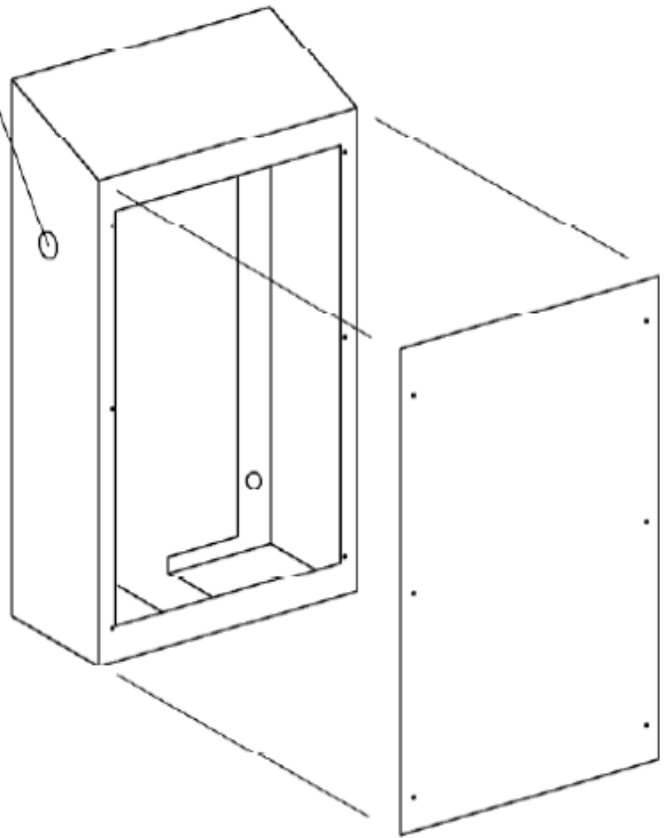
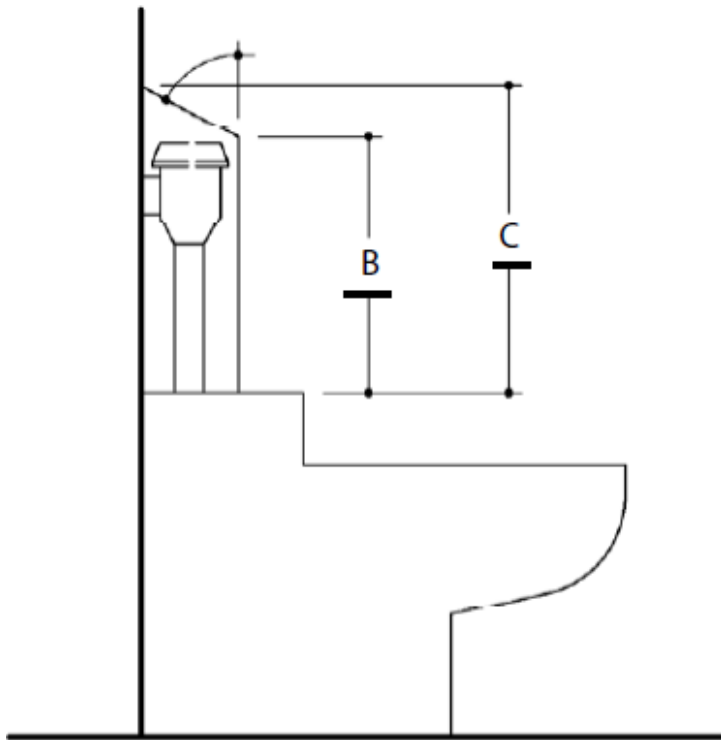


ENCLOSURE – SLOPED

DESCRIPTION

Hole for pushbutton/lever handle to be cut in field by the installer.



Note: Measurement "E" must be at least 1/2" less than measurement "A"

Measurements	
A _____	D _____
B _____	E _____
C _____	F _____

JOB NAME

DEALER

1 of 1 SHEET

APPROVED FOR MANUFACTURING

COMPANY

TITLE

DATE

SIGNATURE