

812-S41 SR

1-800-308-3627

Electrical Outlet Enclosure Data Sheet

Function:

- SR (Suicide Resistant) product designed to reduce ligature risk and restrict unauthorized access to electrical outlets

Application:

- Behavioral healthcare facilities, particularly patient rooms & corridors
- Correctional environments

Features & Benefits:

- Locking cover prevents unauthorized access to the electrical outlet
- Universal design accommodates most wall outlet devices (eg. GFCI, switch etc.)
- Available in both single and double gang applications to accommodate most electrical outlets

Technical Data:

- 16GA cold rolled steel construction (16GA 304 stainless available as special order)
- Barrel lock (all units keyed alike)
- White powder coat finish (Dull Chrome and Fire Red also available)
- Double Gang: Opening size: 3.71"W x 3.5"H
Overall size: 5.46"W x 6.37"H x 1.125"D
- Single Gang: Opening size: 3.125"W x 5.875"H
Overall size: 3.65"W x 6.37"H x 1.125"D

Ordering & Specifying Example:

812-S41-CGA-GS-2: Cold Rolled Steel, 16 Gauge, Powder Coated Antimicrobial White, Pneumatic Application, Keyed Alike, 2 keys Included per device

Material/Finish

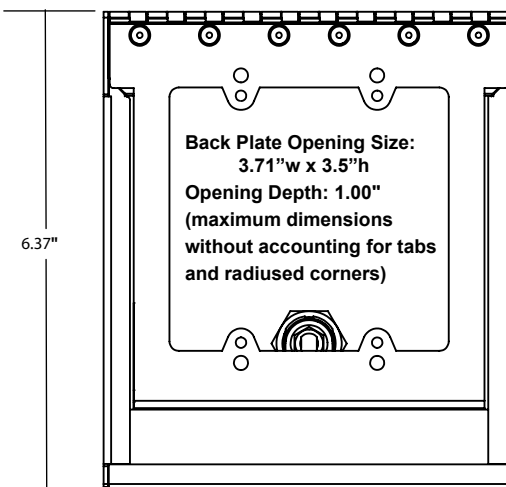
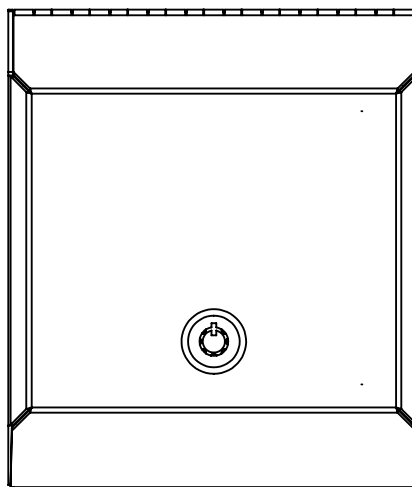
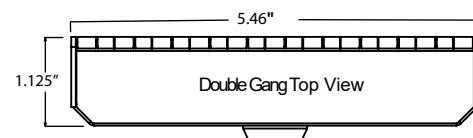
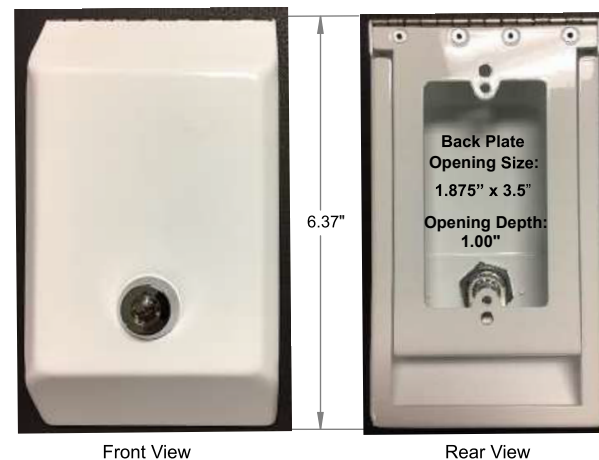
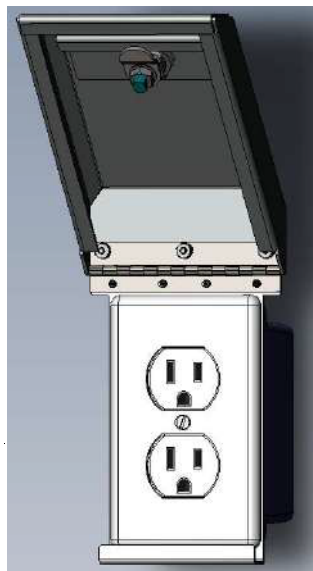
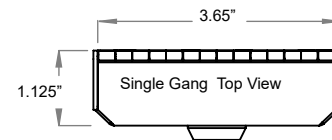
CGA: CRS 16 ga PC Antimicrobial White
CGC: CRS 16 ga PC Dull Chrome
CGR: CRS 16 ga PC Fire Red

Capacity

GD: Double Gang
GS: Single Gang

Keying

2: Keyed Alike, 2 Keys Per Device



Double Gang Front View

Double Gang Rear View

[Get a Quick Quote™ Now](#)

Tell a Friend

Save in Wishlist

Client References

Share