

841-M01 SafeSupport SR Modular Bed

OVERVIEW

The 841-M01 Modular Bed is a versatile, heavy duty sleep surface and is ideal for continuous, intensive use in correctional or institutional environments. Molded in side slots for property box storage and increased structural span strength. Bed can be reverse-mounted to eliminate property box storage feature. Molded in end shelving for open storage of personal items. **Manufactured to ISO Quality Standards in the USA.**

FABRICATION/MATERIAL

Durable, one piece, rotationally molded design for increased strength. Constructed of high impact polyethylene . Flame Retardant (as shown passes Cal 133). Test reports available upon request.

COLOR

Black, Blue Gray, Brown, Green, Slate Blue , custom colors available upon request.

WEIGHT

120 lbs.

OPTIONS

N/A

ASSEMBLY

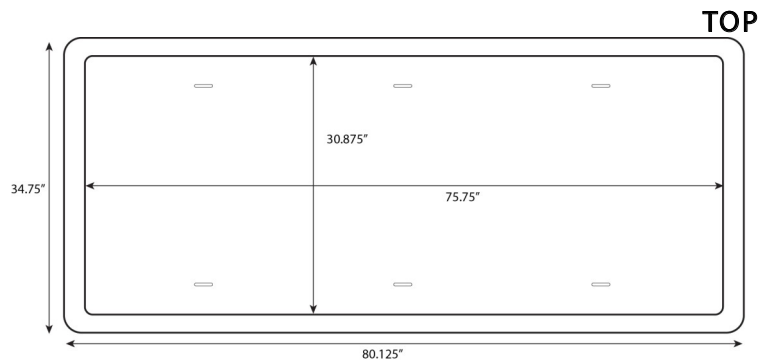
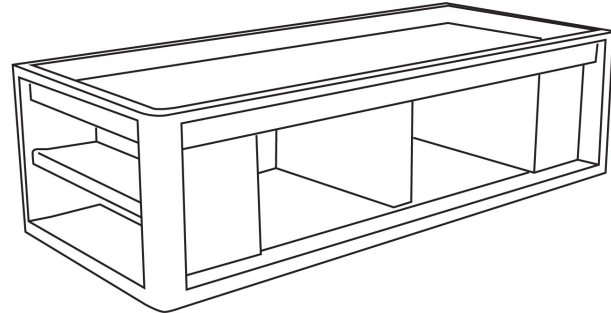
Bolt to the floor via concealed pilot holes with hardware of your choice .

WARRANTY

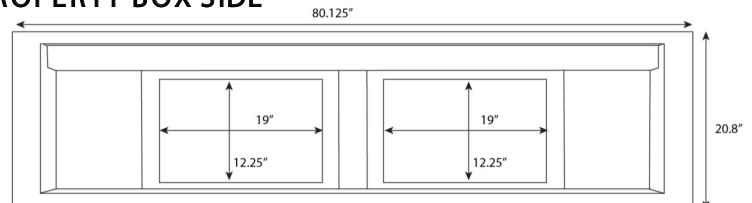
10 Year Warranty.

MAINTENANCE

Easy to clean and maintain with damp cloth. Resistant to stains.



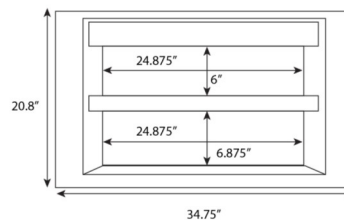
PROPERTY BOX SIDE



CLOSED SIDE



END SHELVING



841-M01 SafeSupport SR Modular Bed (Oversized)

OVERVIEW

The 841-M01 Oversized Modular Bed is a versatile, heavy duty sleep surface and is ideal for continuous, intensive use in correctional or institutional environments. Optional molded in side slots for property box storage and increased structural span strength. Angled lowered side rail for easier entry and exit. Molded in end shelving for open storage of personal items.

Manufactured to ISO Quality Standards in the USA.

Designed for use with 36" x 80" mattress.

FABRICATION/MATERIAL

Durable, one piece, rotationally molded design for increased strength. Constructed of high impact polyethylene . Flame Retardant (as shown passes Cal 133). Test reports available upon request.

COLOR

Black, Blue Gray, Brown, Green, Slate Blue, custom colors available upon request.

WEIGHT

120 lbs.

OPTIONS

N/A

ASSEMBLY

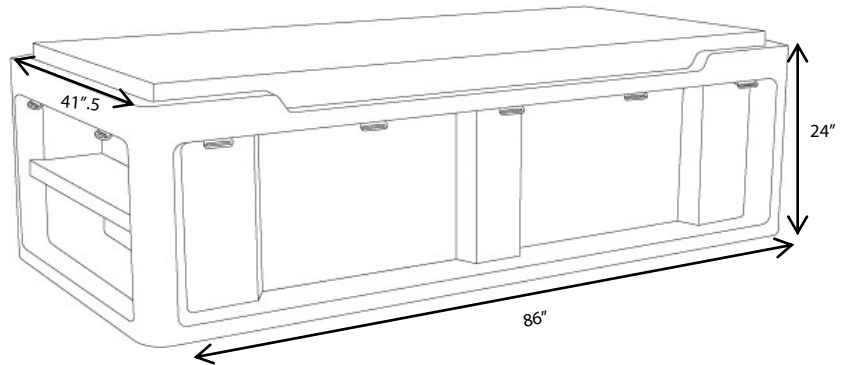
Bolt to the floor via concealed pilot holes with hardware of your choice .

WARRANTY

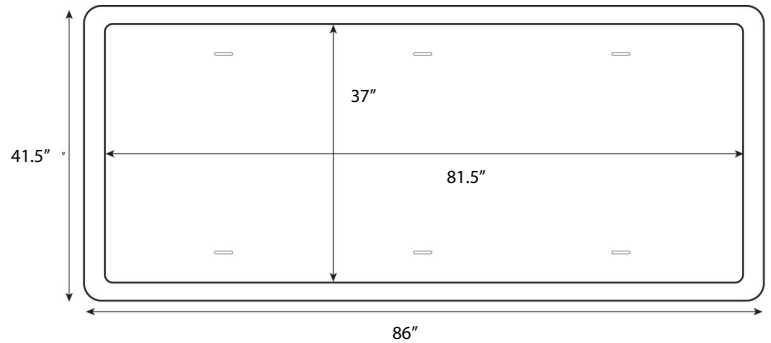
10 Year Warranty.

MAINTENANCE

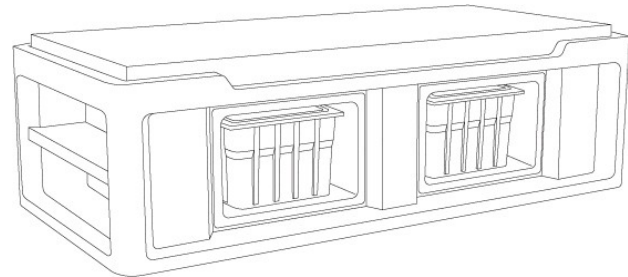
Easy to clean and maintain with damp cloth. Resistant to stains.



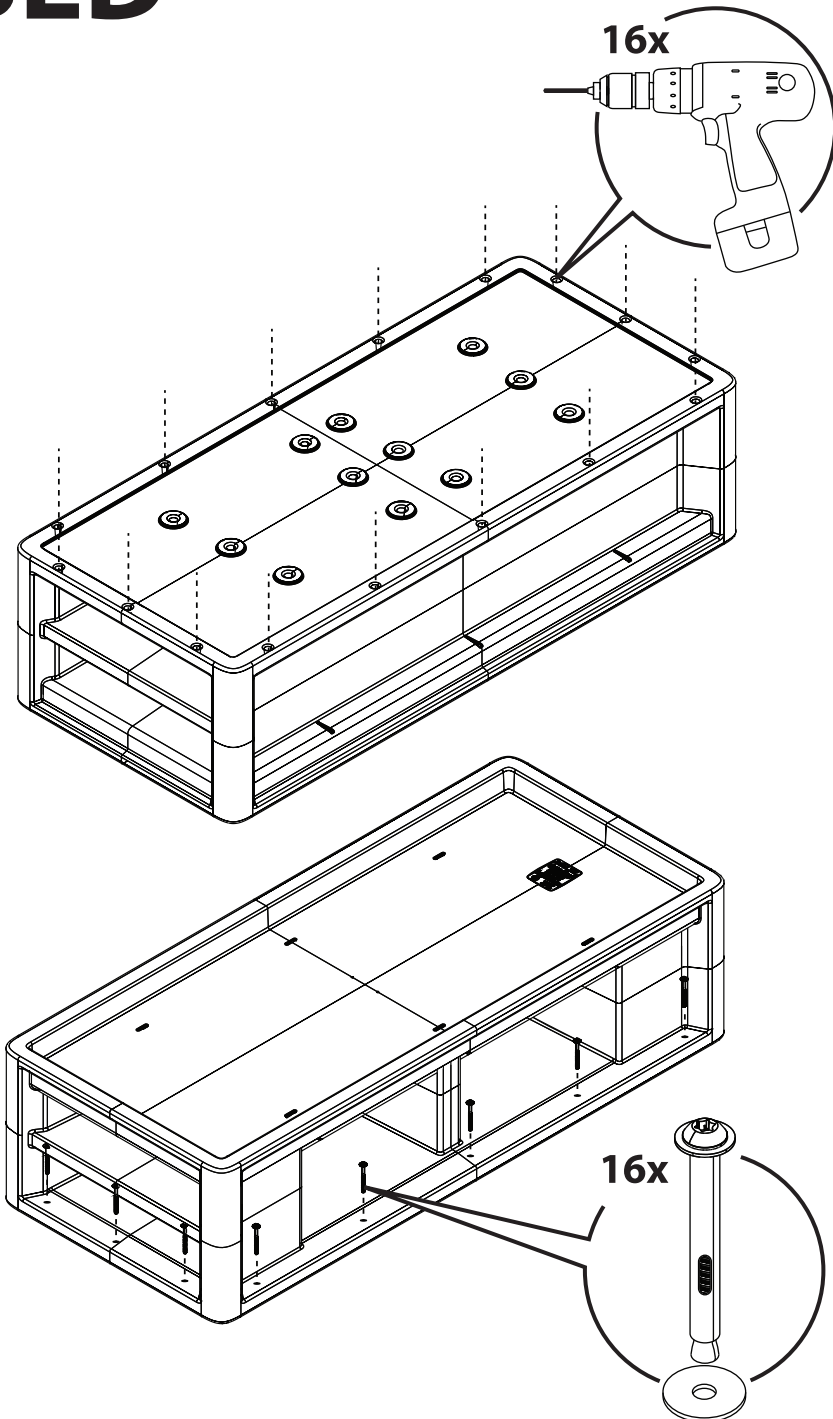
TOP



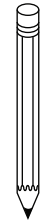
OPTIONAL PROPERTY BOX SIDE



BED

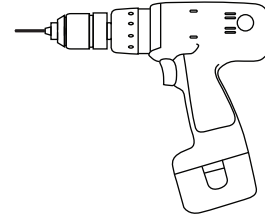


You will need:



1x

Pencil
For Marking Floor



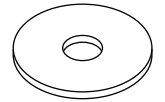
1x

Drill
With 3/8 Bit



16x

3/8-16 x 3.75"
Security Torx Anchor Bolts



16x

Flat Washer

- 1.** Position bed on its back as to access the bottom of the bed.
- 2.** Select and drill all sixteen mounting locations on the bottom of the bed.
- 3.** Place bed right side up and locate where it is to be secured to the floor.
- 4.** Using a pen or pencil, mark mounting hole locations on the floor using the holes drilled in step 2.
- 5.** Move bed and drill holes in the sixteen locations where you marked the floor. Hole depth should be 2.0" deep MINIMUM.
- 6.** Replace the bed lining up the drilled holes with the holes in the floor.
- 7.** Place one flat washer over each of the sixteen anchor bolt and guide the bolts through the bed and into the holes into the floor.
- 8.** Tighten each anchor bolt 3-5 turns past finger tight.