

PROPRIETARY AND CONFIDENTIAL
 THE INFORMATION CONTAINED IN THIS
 DRAWING IS THE SOLE PROPERTY OF
 <INSERT COMPANY NAME HERE>. ANY
 REPRODUCTION IN PART OR AS A WHOLE
 WITHOUT THE WRITTEN PERMISSION OF
 <INSERT COMPANY NAME HERE> IS
 PROHIBITED.

		UNLESS OTHERWISE SPECIFIED:		NAME	DATE
		DIMENSIONS ARE IN INCHES		DRAWN	
		TOLERANCES:		CHECKED	
		FRACTIONAL \pm		ENG APPR.	
		ANGULAR: MACH \pm BEND \pm		MFG APPR.	
		TWO PLACE DECIMAL \pm		Q.A.	
		THREE PLACE DECIMAL \pm		COMMENTS:	
		INTERPRET GEOMETRIC TOLERANCING PER:			
		MATERIAL			
		FINISH			
NEXT ASSY	USED ON				
APPLICATION		DO NOT SCALE DRAWING			

TITLE:		
834-SN2 SafeSupport SR Diverter Valve		
SIZE	DWG. NO.	REV
A		0
SCALE: 1:1	WEIGHT:	SHEET 1 OF 1

5

4

3

2

1

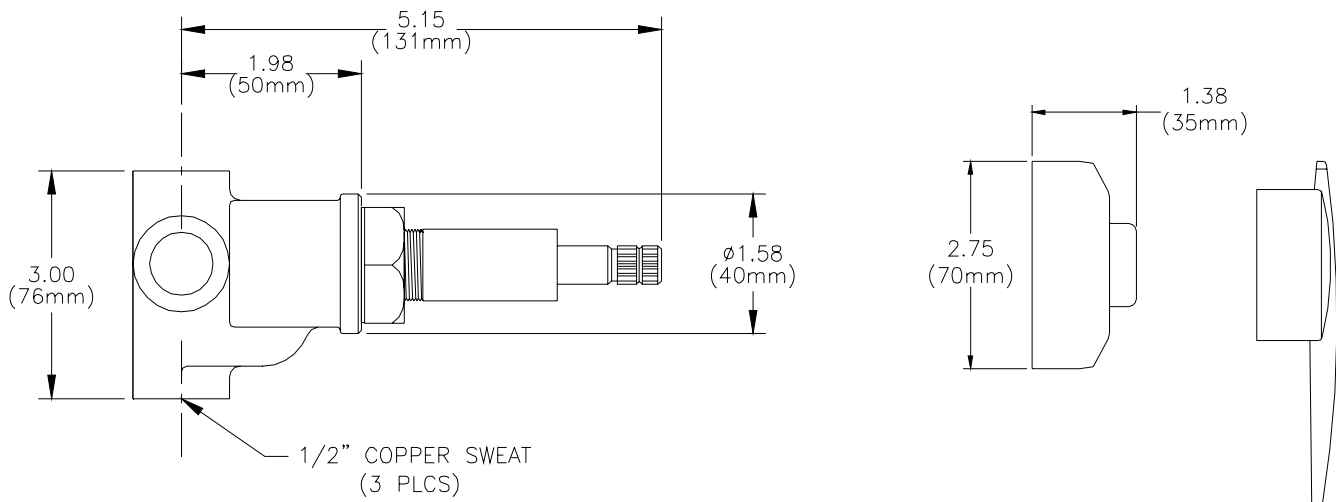


TEMP-GARD DIVERTER VALVE, 2 WAY

Z7000-DV-2P

TAG _____

ENGINEERING SPECIFICATIONS: Z7000-DV-2P Semi-red brass 3-port body, one inlet port and two outlet ports, acetal diverter plunger with stainless steel spring. Solid brass control stem, with hard chrome plated exterior. Complete with chrome plated escutcheon, vandal proof set screws, chrome plated lever handle. All inlet and outlet ports are 1/2" diameter copper sweat connections.



Note: All dimensions are for reference only. Do not use for pre-plumbing

OPTIONAL ACCESSORIES

Suffix	Description
	No Options Required

STANDARDS

Tested to meet the following standards:
ANSI A112.18.1

ZURN INDUSTRIES, LLC ♦ COMMERCIAL BRASS OPERATION ♦ 2640 SOUTH WORK STREET ♦ FALCONER NY 14733

Phone: 1-716-665-1132 ♦ Fax: 1-716-665-1135 ♦ World Wide Web: www.zurn.com

In Canada: ZURN INDUSTRIES LIMITED ♦ 3544 Nashua Drive ♦ Mississauga, Ontario L4V1L2 ♦ Phone: 905/405-8272 Fax: 905/405-1292

Model Z7000-DV-2P

2 Way Diverter Valve



□ Installation □ Maintenance Instructions

The ZURN 2 way three port Diverter Valve is designed for Tub & Shower and Handwall applications. The valve comes standard with copper sweat end connections.

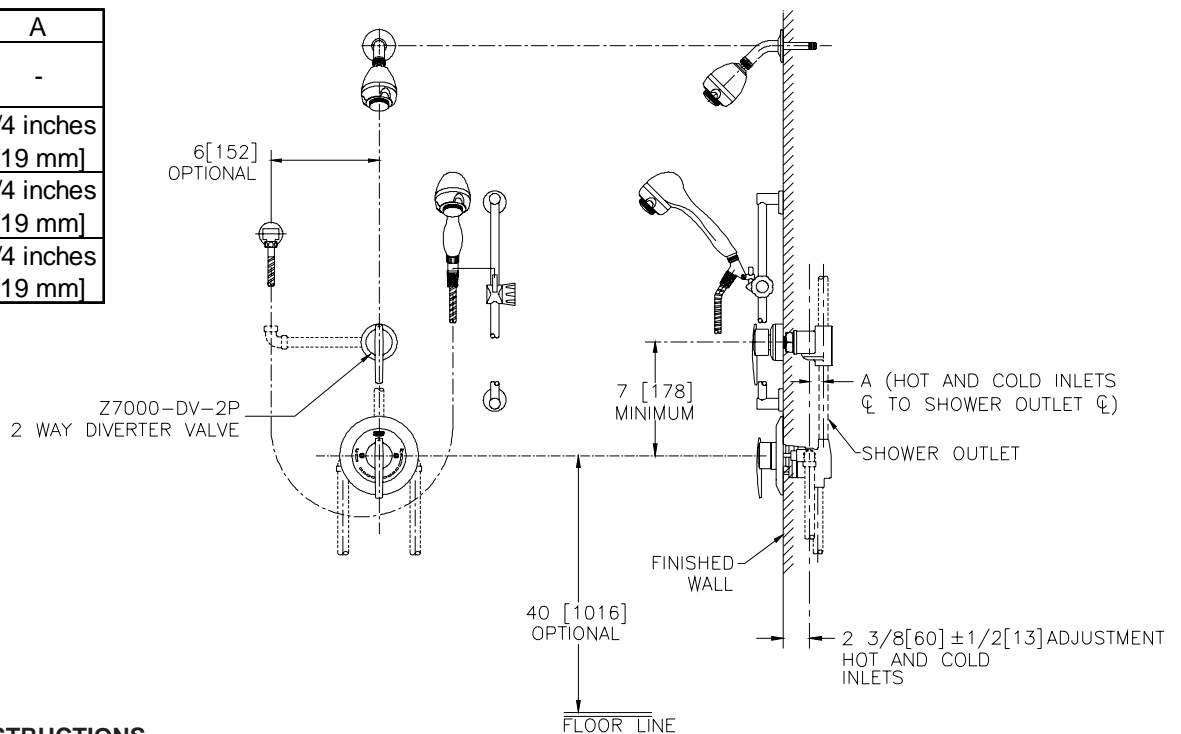
Please note that the ZURN 2-Way Diverter Valve is not to be used as a shut-off valve. The Diverter valve is designed to change water direction only.

In health and medical applications, specify the Z7000-SC option for the installation of in-line dual checks on the hot and cold supplies.

Position the 2-Way Diverter Valve on the shower discharge line of any of the ZURN Temp-Gard Shower or Tub & Shower valve products. Install with a minimum installation distance of 7 inches center to center from the ZURN Temp-Gard product. The Diverter inlet port is the port with the largest vertical hump, and a directional arrow is also cast onto the body. Make sure that the inlet port directly faces the Shower Valve shower port discharge when piping.

**Z7101-SS-LH-DV2P-HW
PICTURED**

	A
Z7100 Z7101	-
Z7120 Z7121	3/4 inches [19 mm]
Z7200 Z7201	3/4 inches [19 mm]
Z7220 Z7221	3/4 inches [19 mm]



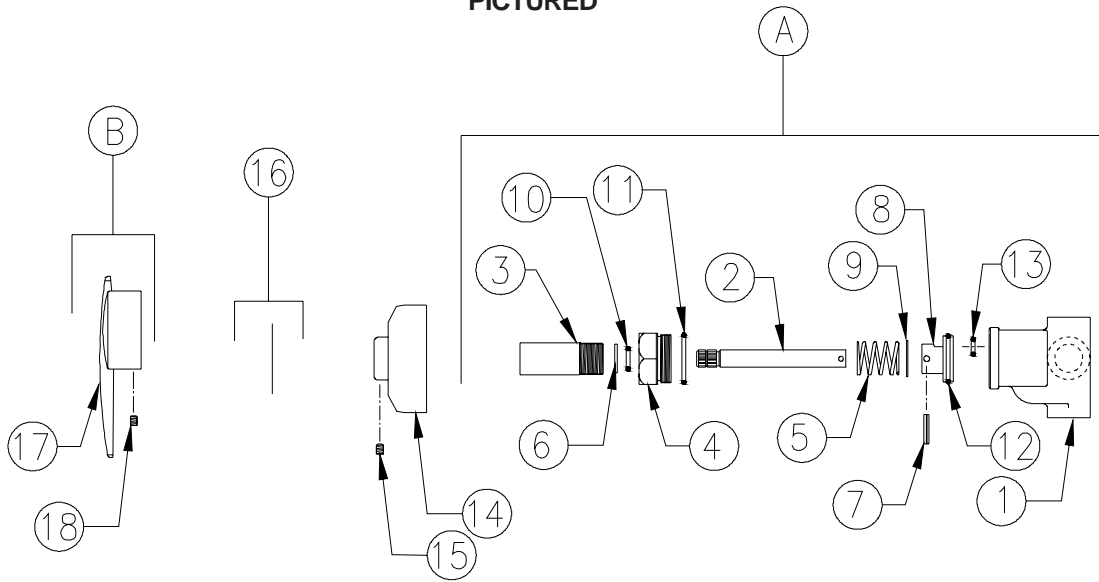
INSTALLATION INSTRUCTIONS

1. Install piping from diverter valve to desired handwall, shower head or tub spout locations.
2. Remove main cap and gently lift while twisting the valve stem. Remove the valve stem with plunger, main cap and spring.
3. Flush valve with water and remove all debris.
4. Reinstall the valve stem with plunger, spring and main cap and spring. Make sure that both o-rings are installed properly.
5. Use a twisting motion to reinstall the valve plunger into valve body. Do not pinch o-ring.
6. Tighten main cap until snug.
7. When fiberglass shower stalls or plaster is applied, allow a minimum of 1 3/4" diameter access hole to the valve stem and valve main cap. This will insure future accessibility should the valve need servicing.
8. Position label on escutcheon to correspond to valve direction.
9. Install escutcheon and tighten set screw.
10. Install valve lever handle. Tighten set screw.

WARRANTY: ZURN Valves are guaranteed against defects of material or workmanship when used for the services recommended. If in any recommended service, a defect develops due to material or workmanship, and the device is returned, freight prepaid, to ZURN within 12 months from date of purchase, it will be repaired or replaced free of charge. ZURN liability shall be limited to our agreement to repair or replace the valve only.

WARNING: This product contains lead. A chemical known to the State of California to cause cancer or birth defects or other reproductive harm. Attention plumber/installer: California law requires that this warning be given to the consumer.

**Z7000-DV-2P
PICTURED**



Item	Part Number	Description	Qty.
A	Z7072	Two Way Diverter Valve Assembly	1
1	7072-1-010F	Diverter Valve Body - 2 Way	1
2	7073-5	Valve Stem	1
3	7073-2	Sleeve	1
4	7073-3	Main Cap	1
5	7073-33	Spring	1
6	7073-14	Washer	1
7	7073-16	Split Pin	1
8	7073-34	Plunger	1
9	7073-80	Friction Ring	1
10	111N	O-Ring	1
11	122N	O-Ring	1
12	021N	O-Ring	1
13	109N-90	O-Ring	1
14	7073-81	Escutcheon	1
15	7073-11	Escutcheon Set Screw	1
16	T7073-2P	Dial Plate Tag - 2 Way Diverter Valve	1
B	Z7000-LH	Lever Handle Assembly	1
17	7000-6F	Stem Handle	1
18	7000-11G	Stem Handle Set Screw	1
RK7073-50 REPAIR KIT			
2	7073-5	Valve Stem	1
7	7073-16	Split Pin	1
8	7073-34	Plunger	1
12	021N	O-Ring	1
13	109N-90	O-Ring	1

ZURN INDUSTRIES, LLC. ♦ COMMERCIAL BRASS OPERATION ♦ 5900 ELWIN BUCHANAN DRIVE ♦ SANFORD NC 27330
 Phone: 1-800-997-3876 ♦ Fax: 919-775-3541 ♦ World Wide Web: www.zurn.com
 In Canada: ZURN INDUSTRIES LIMITED ♦ 3544 Nashua Drive ♦ Mississauga, Ontario L4V1L2 ♦ Phone: 905-405-8272 Fax: 905-405-1292