

818-R24 SafeSupport® SR™ Compact Surface Ceiling Light

PROJECT INFORMATION

Job Name _____

Fixture Type _____

Catalog Number _____

Approved by _____

PRODUCT FEATURES:

- » Surface ceiling mount – 12"×12"
- » TIG welded housing with no post grinding for additional strength
- » Vertically adjustable bracket secured to housing via thru-studs
- » Completely concealed internal drop slot piano hinge



SPECIFICATIONS

HOUSING: One-piece die-formed prime grade material as specified – see ordering information. Corners continuously seam welded and smooth with no post grinding (TIG). Clamshell housing resistant to penetration and contraband concealment.

BASEPLATE: Prime grade material as specified – see ordering information. Die-formed blade trap (1/4" minimum) prevents contraband concealment and access. Embossed standoffs prevent distortion.

HINGE: Completely concealed internal drop slot piano hinge (1/2" knuckle/1/8" diameter pin). Pin secured to knuckle. Hinge welded to housing and mounts to either side of baseplate via keyholes.

LENS: As specified – maximum thickness .875" – see ordering information. Two clear lenses used in combination cannot be provided.

LENS RETENTION: Vertically adjustable continuous "Z" brackets of prime grade material, secured to housing via thru-studs (6" maximum spacing).

FASTENERS: Hardened security screws as specified – see ordering information. Fully recessed

FINISH: TGIC polyester powder coat – 5-stage pre-treatment. Salt spray test: 1,000 hours; Reflectance: 92%.

LAMPS: Quantity and type as specified – see ordering information. All lamps supplied by others.

BALLAST: Type as specified – see ordering information. All ballasts UL listed class P. Optional removable reflector/lamp/ballast tray with quick disconnect.

LUMINOUS SEAL: Polyurethane foam prevents light leaks from luminaire base.

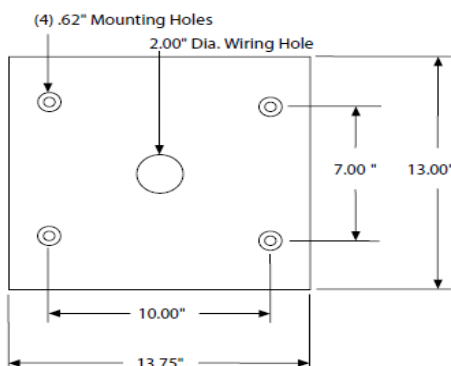
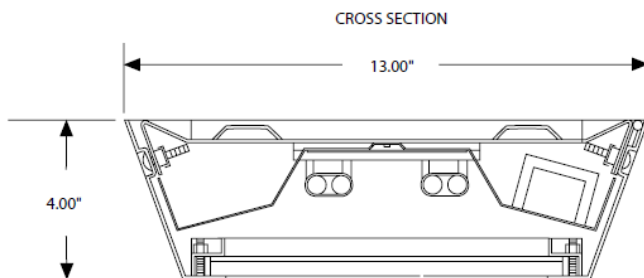
LISTINGS: UL and CUL listed for damp locations. See ordering information for wet location applications.



ORDERING INFORMATION

Model	Size	Hsg./Base Plate	Lamp Qty	Lamp Type	Ballast Type	Ballast Qty	Voltage	Lens (Inner/Outer)	Fasteners	Options
818-R24	A	/						/		
Nominal Size			Lamp Quantity			Ballast Quantity			Fastener	
A	12"×12"		1	One		1	One		1	Torx® Head w/ Center Pin
			2	Two		2	Two		2	Allen Head w/ Center Pin
			3	Three (13 Watt Twin only)						
Housing/Base Plate			Lamp Type			Voltage			Options	
0	14-Ga CRS (Painted White)		13	13 Watt Twin		120	120 Volts		EL	Standard Lumen EL Pack
1	16-Ga CRS (Painted White)		13E†	13 Watt (4) Pin Twin		277	277 Volts		SEL	Specified EL Pack
3	14-Ga SS (Painted White)		13Q†	13 Watt Quad		347	347 Volts		DLN	LED Night Light w/Light Level Control (100% - 20%)
4	16-Ga SS (Painted White)		26Q†	26 Watt Quad					FS	Single Fuse & Holder
6*	14-Ga SS (Brushed)								RGT	Removable Gear Tray
7*	16-Ga SS (Brushed)								TN	PL Night Light (5,7,9 Watt Only)
9	12-Ga CRS (Painted White)								UV	Ultraviolet Filter
									WL	Wet Location Listed
Ballast Type			Lens (Inner/Outer)‡							
			RS	Rapid Start Electronic <10% THD		0	No Lens			
			MB	Magnetic Ballast		1	.125" Prismatic Acrylic			
						2	.125" Prismatic Polycarbonate			
						3	.125" Textured Polycarbonate			
						G	.125" Clear Polycarbonate			
						4	.156" Prismatic Polycarbonate			
						R	.156" Prismatic Tempered Glass			
						6	.187" Prismatic Polycarbonate			
						7	.187" Clear Polycarbonate			
						8	.187" Clear Tempered Glass			
						9	.250" Clear Polycarbonate			
						A	.250" Clear Tempered Glass			
						B	.375" Clear Polycarbonate			
						C	.375" Clear Tempered Glass			
						J	.500" Clear Polycarbonate			
						P	.500" Clear Tempered Glass			
						N	.750" Clear Tempered Glass			

DIMENSIONAL DATA



SECURINGHOSPITALS.com

USA: Blaine, WA -- CAN: Vancouver, BC -- 1.800.308.3627

SR Suicide Resistant Product